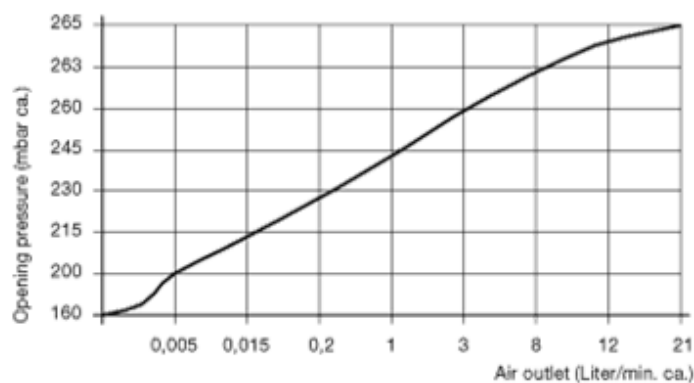
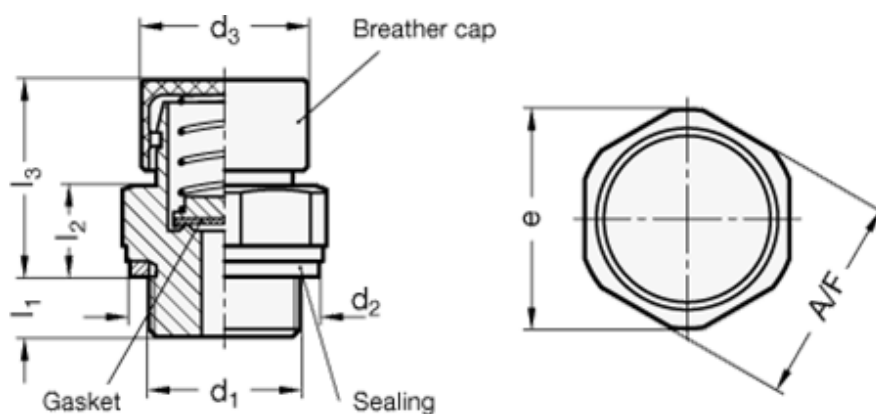


Data Sheet



Article number: 20881G1200MSM
Description: E+G
Breather valve, - G 1"

Measures



A/F	= 41
d2	= 39
d3	= 22
e	= 44
l1	= 8
l2	= 12
l3	= 27
Thread d1	= G 1"